



## WOODLOC® 5S GLUE-DOWN INSTALLATION INSTRUCTIONS

---

Applicable to:

Kährs Avanti	13mm	1/2"
Kährs Original	15mm	5/8"

### PROTECT YOUR INVESTMENT!

Maintain your warranty:  
Only use Kährs branded  
underlayments,  
moldings, cleaning  
supplies, and  
accessories.



## JOBSITE

### Underlayments

- Kährs QuietStride

1. Direct Glue-Down: Install QuietStride wall to wall, butt all seams together (do not tape seams), directly adhering to subfloor with a premium multi-purpose adhesive. Fully adhere Kährs flooring to underlayment using approved adhesive and trowel (see Glue-Down Installation for details). **Note:** an approved concrete sealer must be used if calcium chloride test exceeds 3lbs as recommended by the manufacturer of that product.
2. Direct Glue-Down over "float-in" underlayment: First install 6 mil polyethylene plastic loose-laid, seams over-lapped 8". Run plastic up wall 2" (trim excess after installation, before installing trim). Loose-lay QuietStride on top of plastic, wall to wall, butt all seams together (do not tape seams). Fully adhere Kährs flooring to underlayment using approved adhesive and trowel (see Glue-Down Installation for details). **Note:** a concrete sealer must be used if calcium chloride test exceeds 3lbs. as recommended by the manufacturer of that product

**Important: Kährs does not guarantee the performance of any non-Kährs branded underlayment.**

## TOOLS & TECHNIQUES

### Important Installation Notes

Please see our website - [www.kahrs.com](http://www.kahrs.com) for Kährs Floor Care Guide and Lifetime Guarantee.

#### **Installation:**

##### Glue Down:

Installing Kährs floors with the Glue down method requires no expansion breaks in the floor and is not limited in size. A 1/2" gap at perimeter walls is required to allow engagement of last boards.

##### Adhesive Tape on Kährs Floors

The use of adhesive tape on any Kährs floor for any reason (i.e. to fasten temporary protection) is not recommended and is not covered in our warranty.

##### Bathrooms

Kährs Flooring is approved for installations in ½ bathrooms only (no bathrooms including showers or bath tubs)

#### **Additional Finishing Coating:**

For additional wear protection, a waterborne urethane finish is compatible with Kährs factory finishes. Contact Arboritec (1-877-416-5972) or Bona Kemi USA, Inc. (1-800-574-4674) for recommended products, application and warranty information. Follow manufacturers instructions for recoating a prefinished wood floor. Kährs International, Inc. does not guarantee the performance and/or durability of these products

#### **Recommended Adhesives:**

Please contact your local adhesive distributor for a recommendation of the proper adhesive to use for the intended purpose. They will also be able to supply you with the spread rate, open times, shelf life and most importantly guarantee on the product.

## TOOLS & TECHNIQUES

### Glue-Down Installation for Woodloc® 5S

#### Notes:

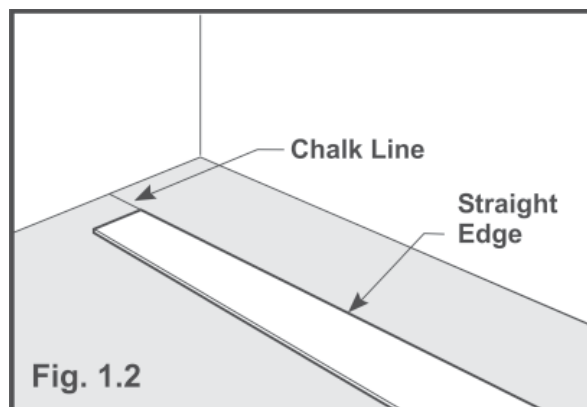
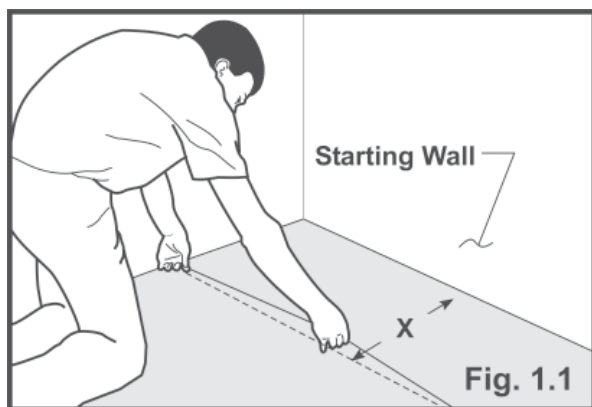
- For subfloor and environmental specifications and requirements, see Jobsite / Subfloor Preparation section.
- Kährs flooring is covered by a Limited Lifetime Warranty. However, Warranty coverage may be lost due to failure to strictly follow all installation instructions and recommendations or the use of improper materials or tools. READ ALL INSTRUCTIONS CAREFULLY.

#### IMPORTANT!

- **Do not open packages until ready to begin installation!** Inspect boards as you go. Kährs flooring is sealed at the factory with a 7% moisture content. Opening cartons to acclimate the flooring (as with some solid strip flooring) could result in a difficult installation.
- As an installer, it is your responsibility to be aware of the grade, Relative Humidity of the room, and moisture content of the subfloor. You should check that each plank is free of damage or manufacturing defects. Any unusable boards should be set aside for later replacement.
- Tip: Dry-lay first two rows to familiarize yourself with Woodloc®.5S

#### Prior to Installation

- See Jobsite/Subfloor Preparation section and follow all requirements before installation.
- Door casings should be notched or undercut to avoid difficult scribe cuts.
- Sweep or vacuum subfloor thoroughly.
- Recommendations for adhesives should come directly from the adhesive manufacturer of choice. They can supply information regarding the intended use and warranties.

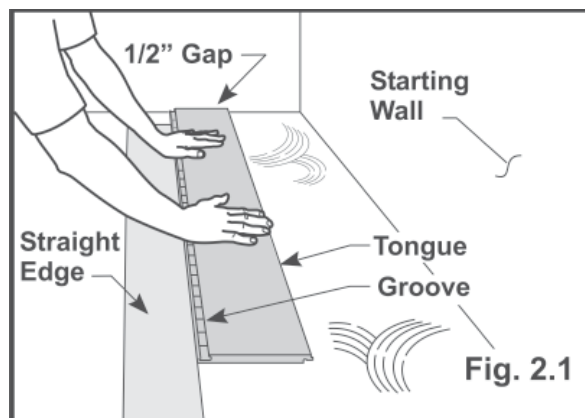
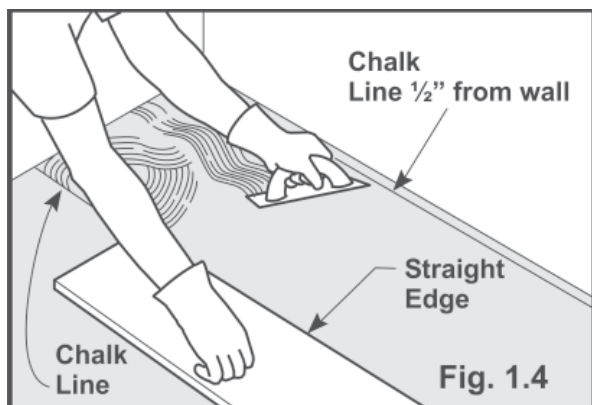


#### Step 1 - Layout

- 1.1 Using starting wall as reference, snap chalk line on subfloor at distance X from wall as shown in Fig. 1.1. To calculate X, engage two boards together (refer to Step 2.1 on locking procedure) and measure total width, including exposed groove, then add 1/2".
- 1.2 Align straight edge (Kährs board or any solid material with straight edge) with chalk line and secure to subfloor (Fig. 1.2)

## TOOLS & TECHNIQUES

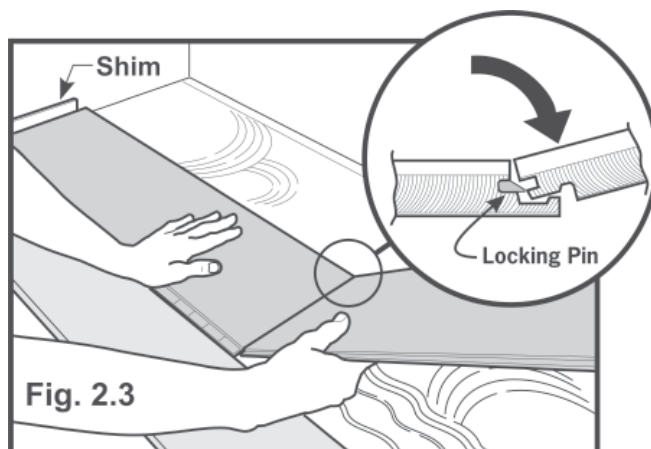
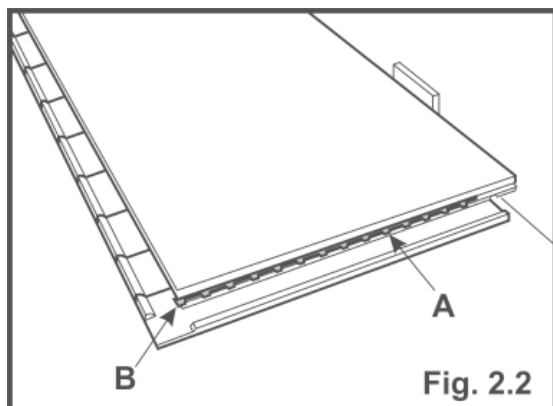
### Glue-Down Installation for Woodloc® 5S



- 1.3 Measure 1/2" from starting wall and snap another chalk line (Fig. 1.4).
- 1.4 Spread adhesive in area between straight edge and second chalk line (Fig. 1.4). Use only as much adhesive as can be used during manufacturer's open time of adhesive.

#### Step 2 - Installation

- 2.1 Start with tongue side facing wall and long groove side directly up against straight edge as seen in Fig. 2.1. Lay board into adhesive. Remember to allow 1/2" expansion gap at wall.
- 2.2 Kährs Woodloc® 5S employs a locking pin (A, Fig. 2.2) to engage short end of boards. Ensure locking pin is in proper alignment - parallel to board edge and flush or slightly protruding (1/16" or less) from wear layer on long side of board (B, Fig. 2.2).

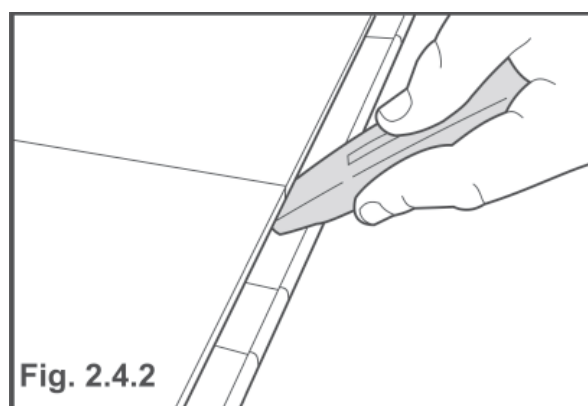
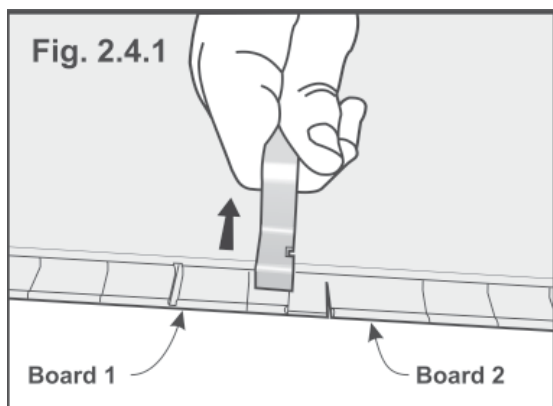


- 2.3 Hold second board against first board at approx. 30° angle (Fig. 2.3). If locking pin is not positioned correctly board will not engage. Lay second board flat into adhesive.

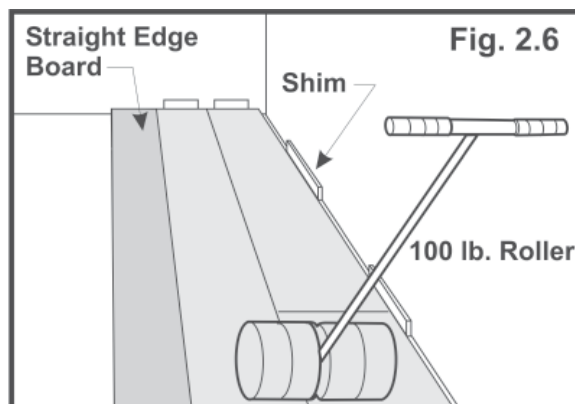
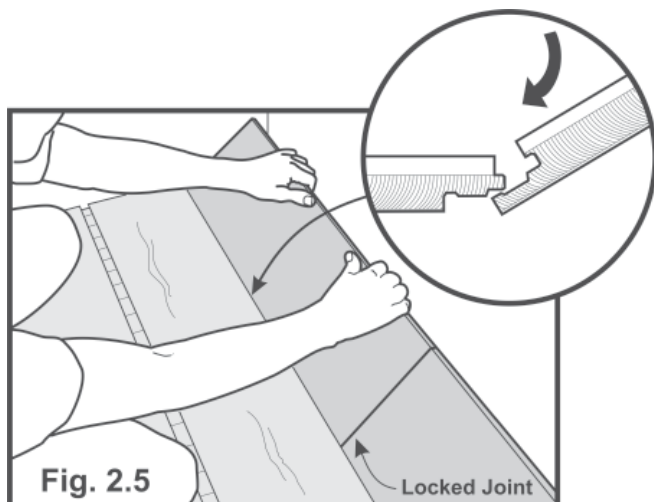
## TOOLS & TECHNIQUES

### Glue-Down Installation for Woodloc® 5S

- 2.4 Engage locking pin to secure second board. **Note:** With glue-down installations of Woodloc® 5S, there are three (2) methods for engaging locking pin:
1. Use Kährs Lock/Unlock tool to push locking pin into locked position (preferred method) as shown in Fig. 4.
  2. Use standard size utility knife to engage pin as shown in Fig. 5. With knife blade in retracted position, run knife along inside of groove to push locking pin into locked position.
  3. Alternate Method: After installation of entire first row, boards in subsequent rows will engage locking pins of previous row as they are installed. Refer to Fig. 6 on next page. Lay entire first row and cut end board to correct length (allow for expansion gap).



- 2.5 On dry, flat surface, lay out entire second row starting with cut-off piece from last board in first row, if possible. Be sure to allow for expansion gaps at both ends. Ensure end joint stagger from row to row is a minimum of 20". Lock short side of each board as described in Steps 2.2 through 2.4. With groove side facing first row, hold entire row at approx. 20° - 30° angle and press inward, completely engaging long side joint (Fig. 2.5). Now lay entire row flat into adhesive. If necessary, use Last Board Puller to assist with engagement of long joint.



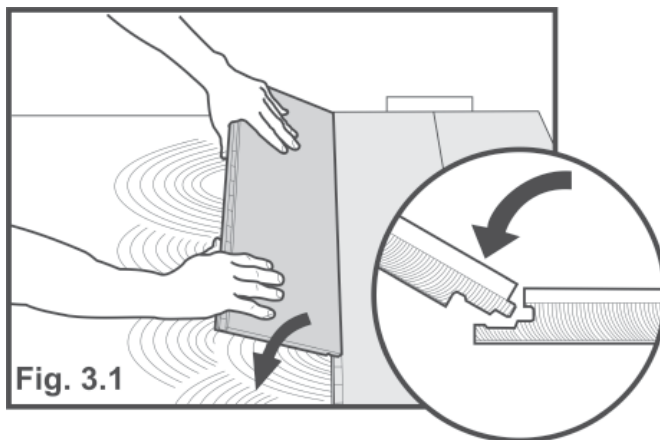
## TOOLS & TECHNIQUES

### Glue-Down Installation for Woodloc® 5S

- 2.6 Once first two rows are installed, ensure expansion gap between walls and boards are shimmed securely. If recommended by adhesive manufacturer, roll flooring with 100# roller to ensure contact between flooring and subfloor (Fig. 2.6). Place weight (e.g., unopened cartons of boards) along perimeters until adhesive sets up. Then remove straight edge board.

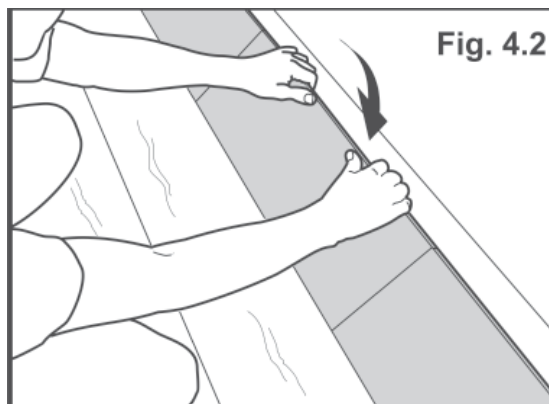
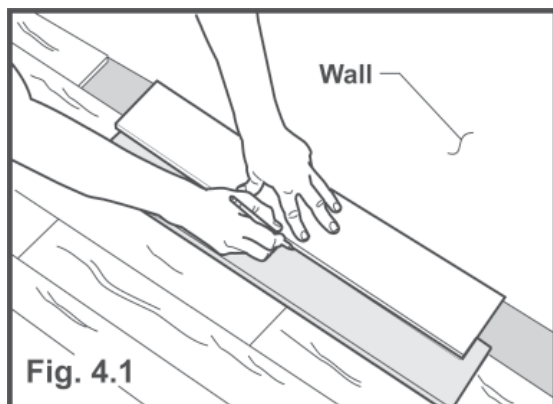
#### **Step 3 - Subsequent Rows**

- 3.1 After starting two rows are firmly in place, apply adhesive in a "wet lay" method. Do not apply more adhesive than can be used within open time of adhesive.
- 3.2 Start each row with cut-off end of last board from previous row (Fig. 3.1). Immediately place flooring in wet adhesive and proceed with installation, engaging locking pins of each board as you proceed.



#### **Step 4 - Custom Fitting Last or First Row**

- 4.1 Since last row will generally not fit perfectly, scribe the entire row and cut to fit, allowing 1/4" (minimum) expansion gap (Fig. 4.1)
- 4.2 After sawing last (or first) row to shape, engage and lock all end joint locking pins and lift entire row and install to adjacent row (Fig. 4.2).

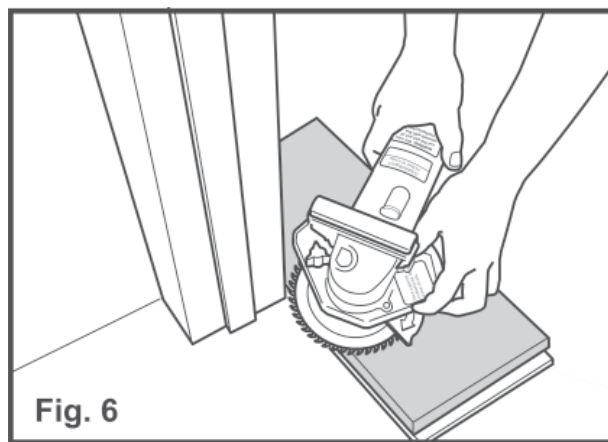
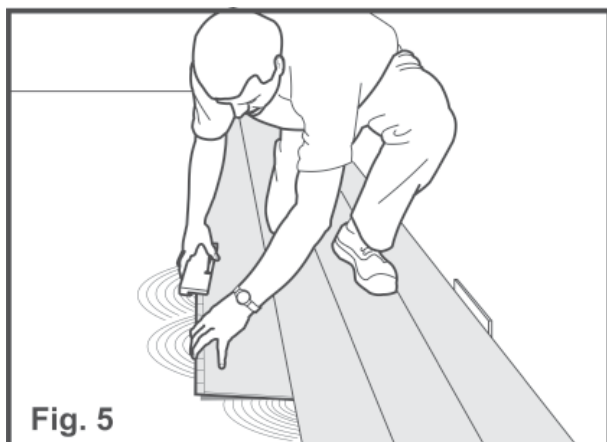


## TOOLS & TECHNIQUES

### Glue-Down Installation for Woodloc® 5S

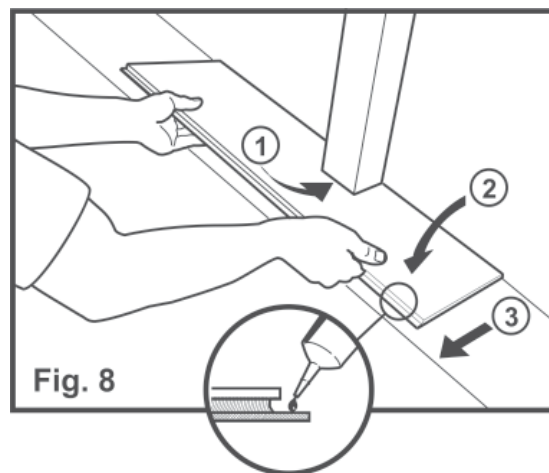
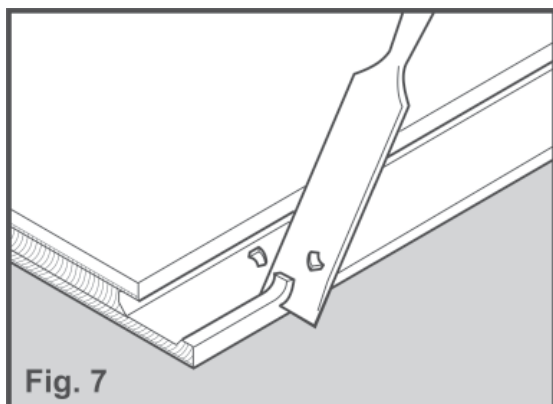
#### Installation Tips

- After first three rows are laid, have one installer work on installing flooring while others spread adhesive and cut boards as needed.
- Installation of Woodloc® 5S is easier while standing/working on top of already-installed flooring (Fig. 5). Working in this manner lessens the chance of accidentally transferring adhesive onto subfloor surface, thereby reducing clean-up time.



#### Doorway Installation

- If doorjamb (or similar) needs to be cut, use piece of board and piece of Combo Underlayment to obtain correct height (Fig. 6). If new board needs to be tapped into place, be sure to protect edges with scrap of wood before tapping with handblock.
- If boards cannot be easily angled under door frame or similar, cut away locking edge as shown in Fig. 7. Then apply Landobond adhesive and install board as shown in Fig. 8.





## TOOLS & TECHNIQUES

### Glue-Down Installation for Woodloc® 5S

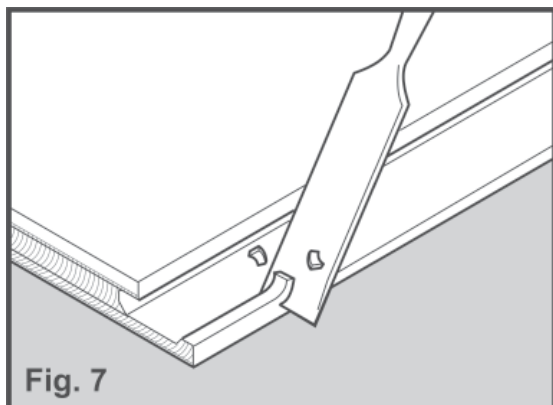


Fig. 7

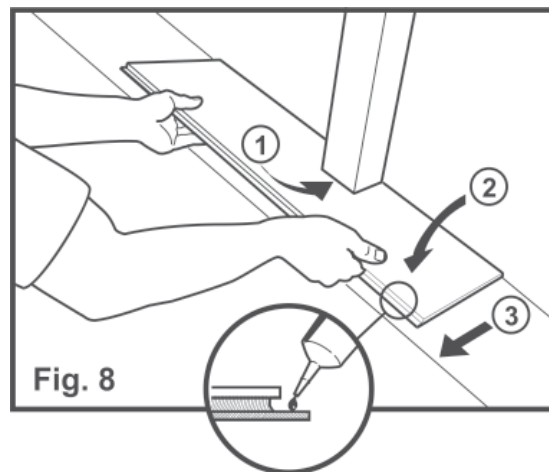


Fig. 8

#### Disengaging Boards

Boards can be laid from all directions if necessary. Woodloc® 5S dismantles easily (see Fig. 9). This enables easier planning for difficult installation areas. To disengage locked boards, first detach entire row and place on flat surface. Using Kährs Woodloc Handblock, tap on exposed groove or tongue until boards unlock (Fig. 9).

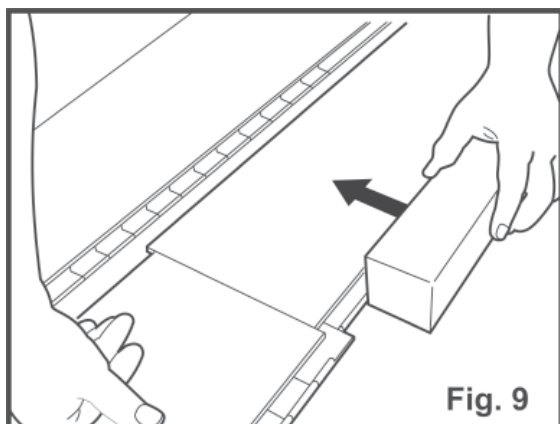


Fig. 9

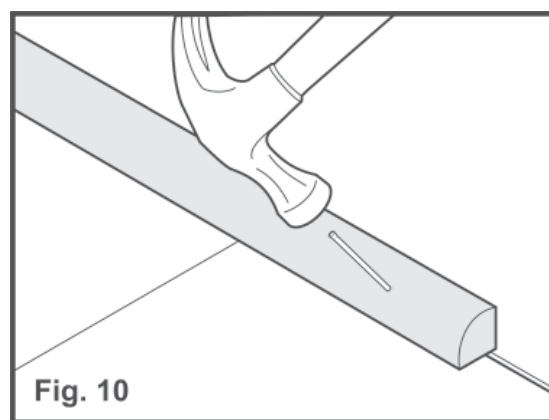


Fig. 10

#### After Installation

Remove expansion shims and use required Kährs moldings and/or trim pieces to cover expansion space (Fig. 10). **Always** nail moldings to wall, **never** to flooring!

#### Clean Up

Immediately clean any adhesive spilled on wood flooring during installation.

#### Maintenance

Clean floor using dry dust mop or damp (lightly misted or well rung out) mop or cloth. Regularly use Kährs Wood Floor Cleaner for best results. Do not use oil soap or water-emulsion, self polishing waxes. Never wet mop floor. Place Peel & Stick Floor Protectors on furniture legs to prevent damage. See Kährs

**NOTE: Oiled floors must be oiled with Kährs Satin Oil (710553) after installation and prior to use.**

## FOLLOW UP

### Recoating your Kährs Floor

Kährs floors can be renewed without removing the factory finish. As a floor ages, normal wear and tear will cause a floor to lose its luster. This is natural - it happens to all wood floors. To renew the luster and extend the wear layer of the Kährs floor, recoat with water based urethane coating.

Recoating should be done when necessary. Don't wait until the finish has worn down. Call your professional flooring contractor for recommendations as soon as you see a wear pattern developing.

#### **Additional Finishing Coating:**

For additional wear protection, a waterborne urethane finish is compatible with Kährs factory finishes. Contact Arboritec (1-877-416-5972) or Bona Kemi USA, Inc. (1-800-574-4674) for recommended products, application and warranty information. Follow manufacturers instructions for recoating a prefinished wood floor. Kährs International, Inc. does not guarantee the performance and/or durability of these products.



WOODLOC® 5S GLUE-DOWN INSTALLATION INSTRUCTIONS



Kährs  
940 Centre Circle Suite 1000  
Altamonte Springs, FL 32714  
Tel: 1.800.800.5247 Fax: 407.260.9933  
info@kahrs.com www.kahrs.com